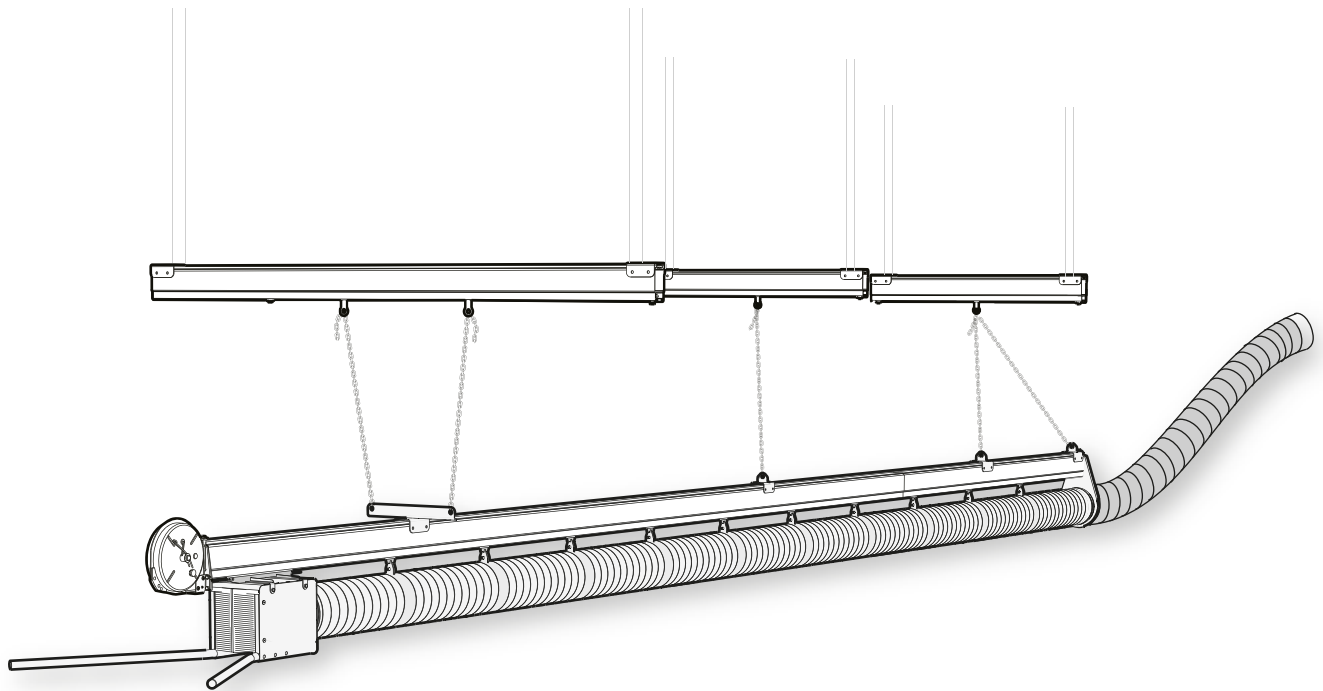
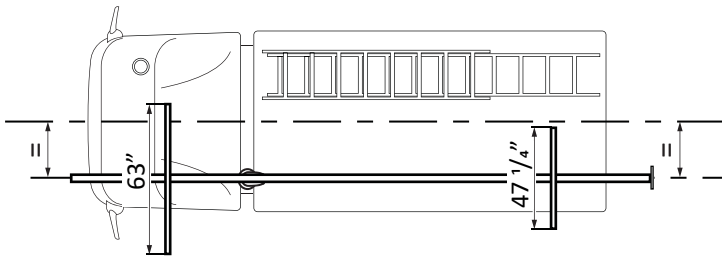


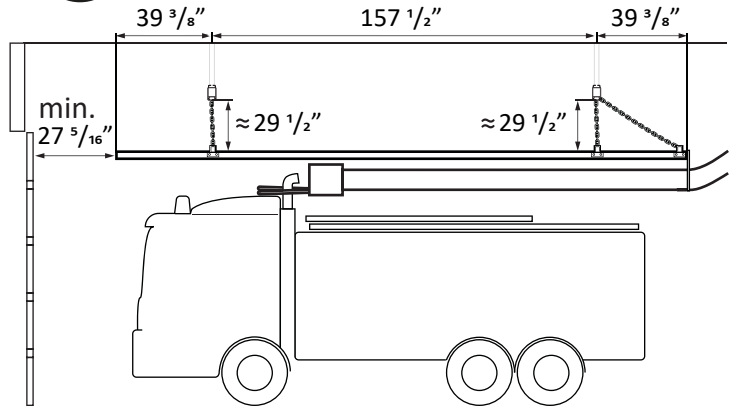
AFSU/60



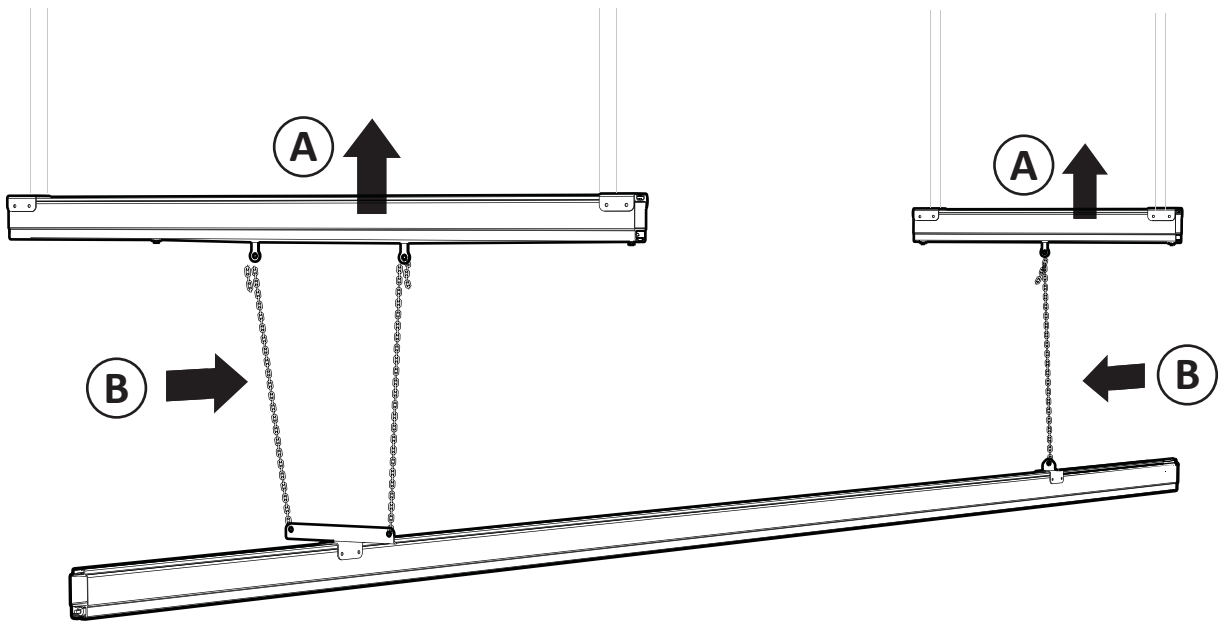
1



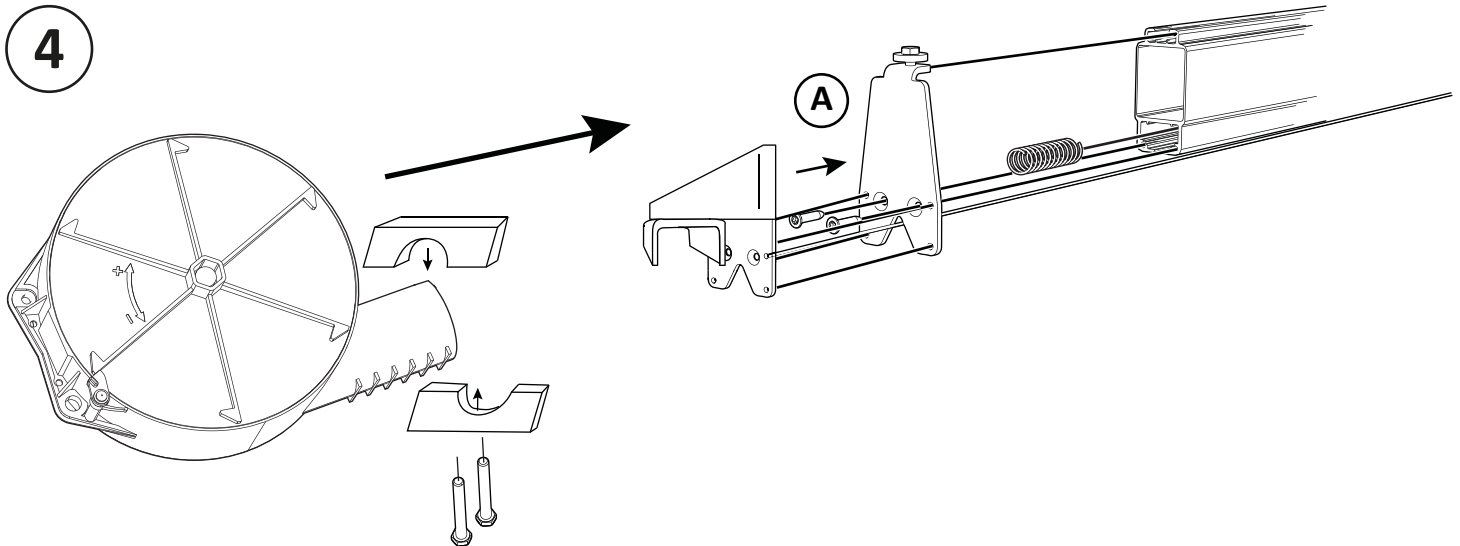
2



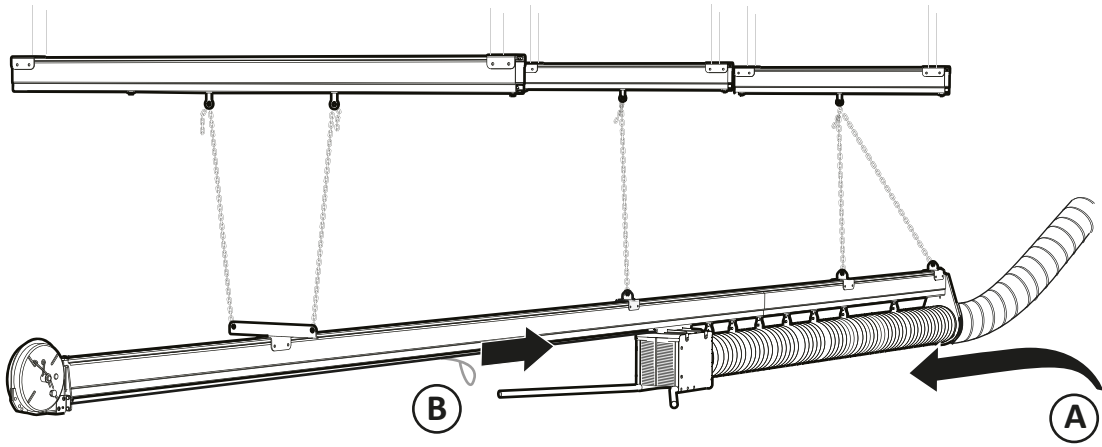
3



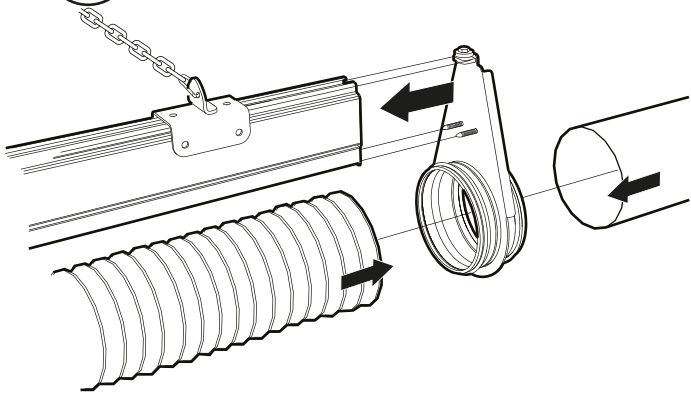
4



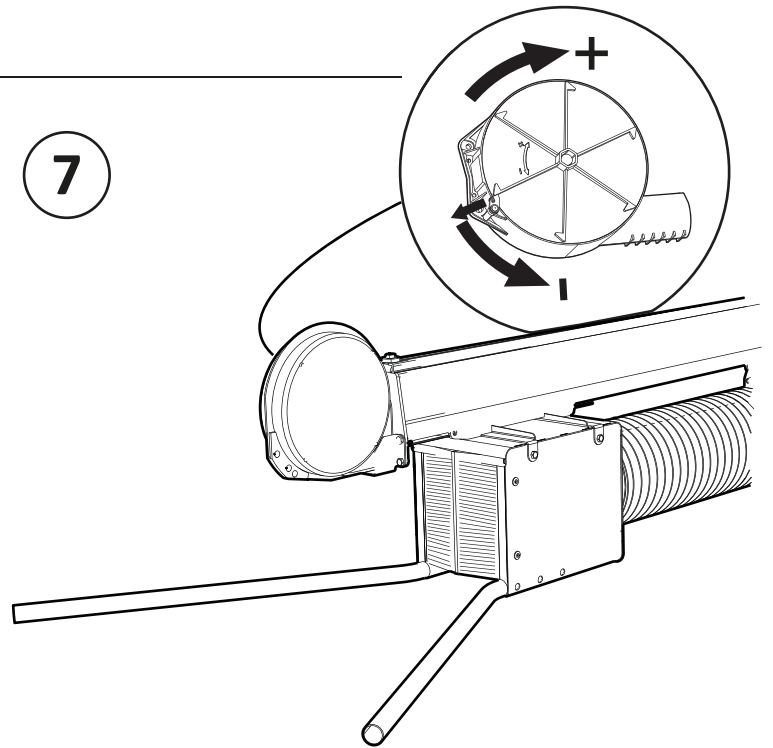
5



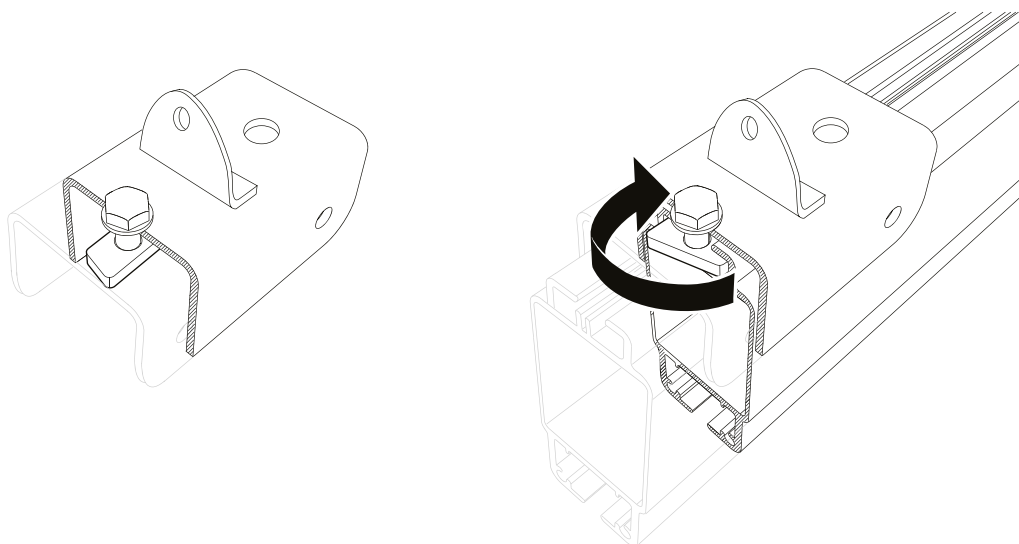
6

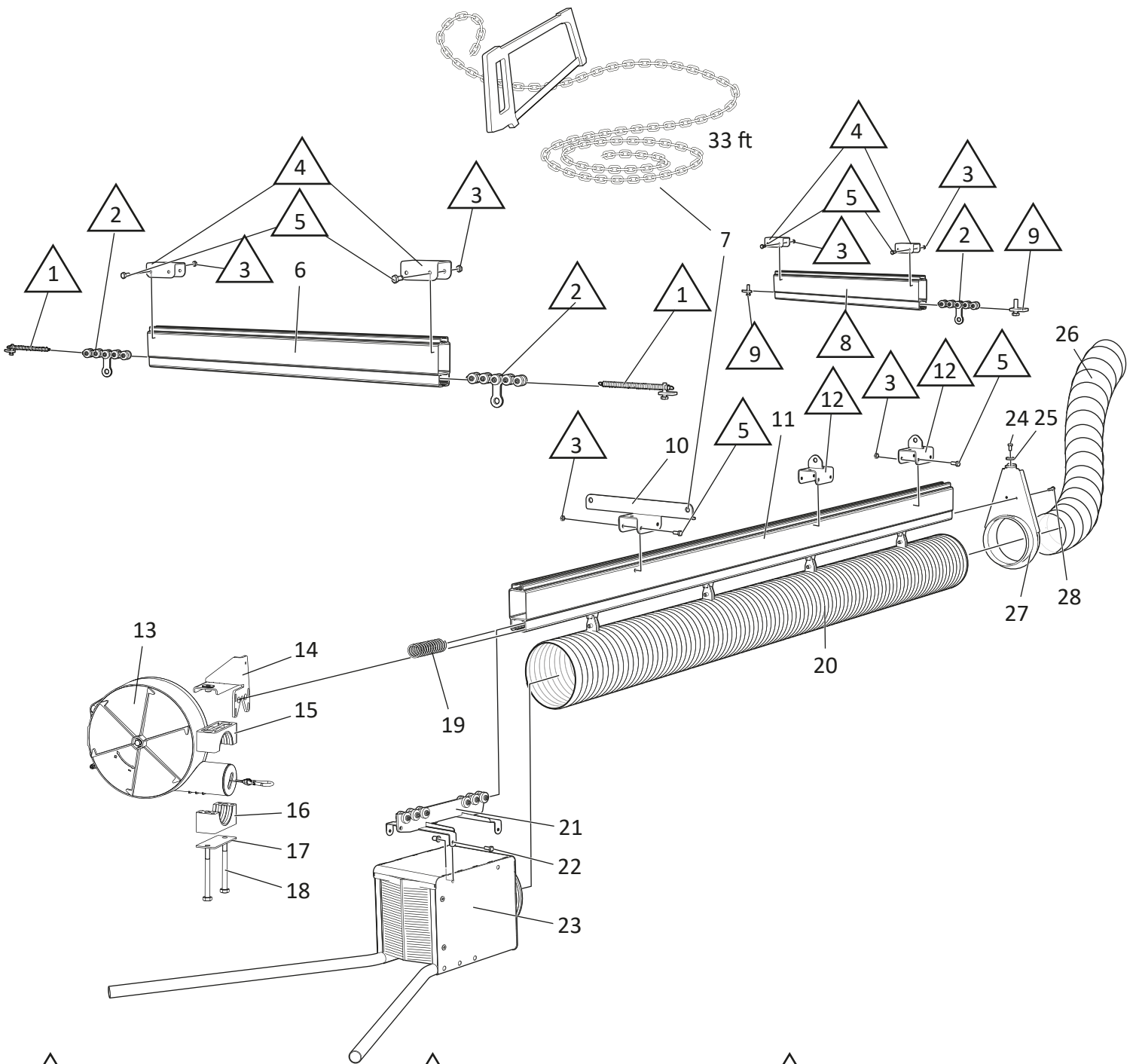


7

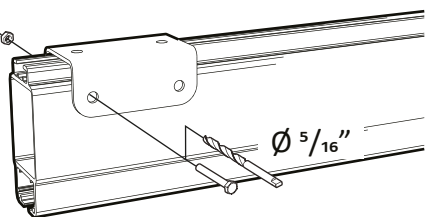


8

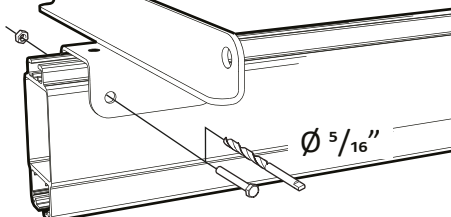




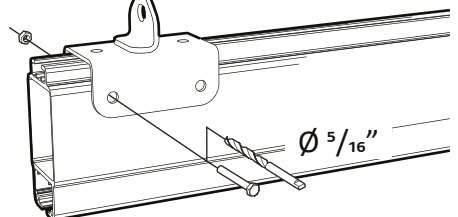
4



10



12



The **MOVEX** product range includes · Extraction Arms · Vehicle Exhaust Extraction · Fans · Filters · Controls · Workshop Equipment

MOVEX

104 Commerce Drive, Suit C, NORTHAMPTON, PA 19067, USA · Tel 610-440-0478 · info@movexinc.com · www.movexinc.com