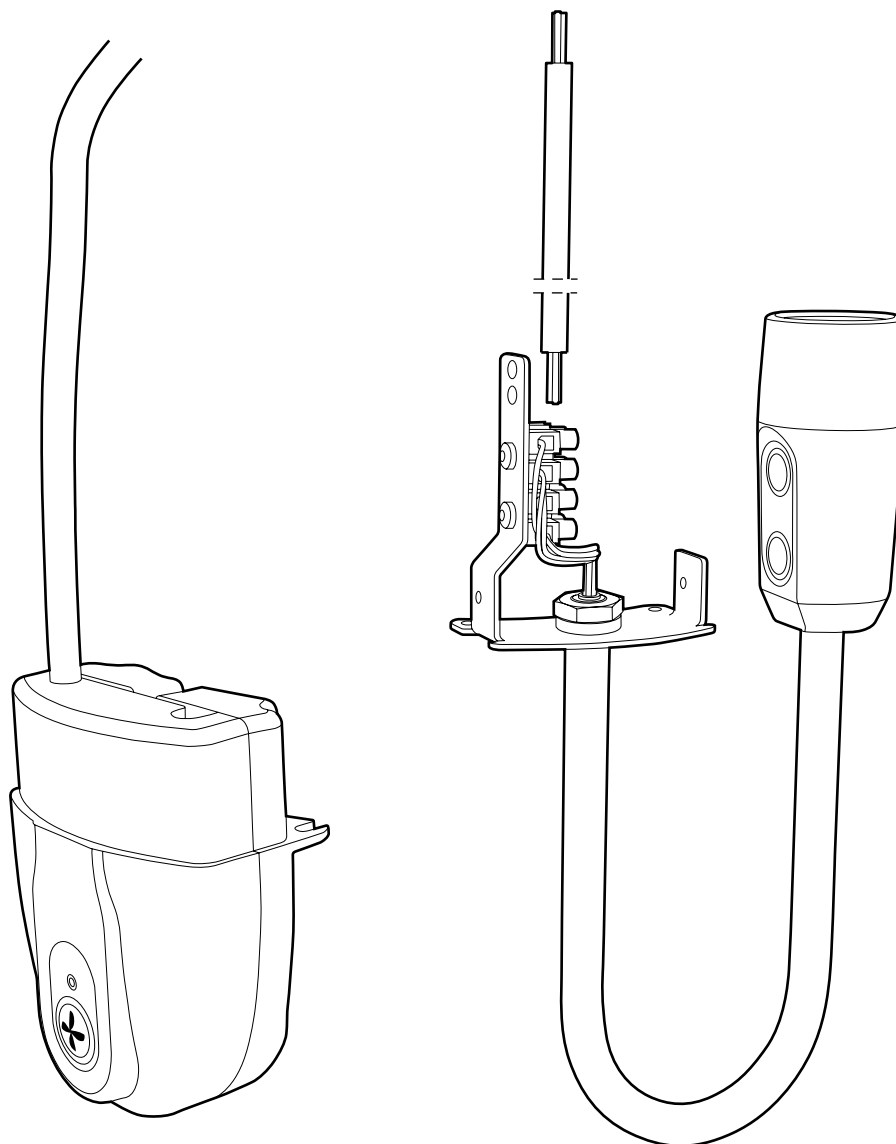




PR S/LS



General



Electrical components may only be installed by a qualified electrician.

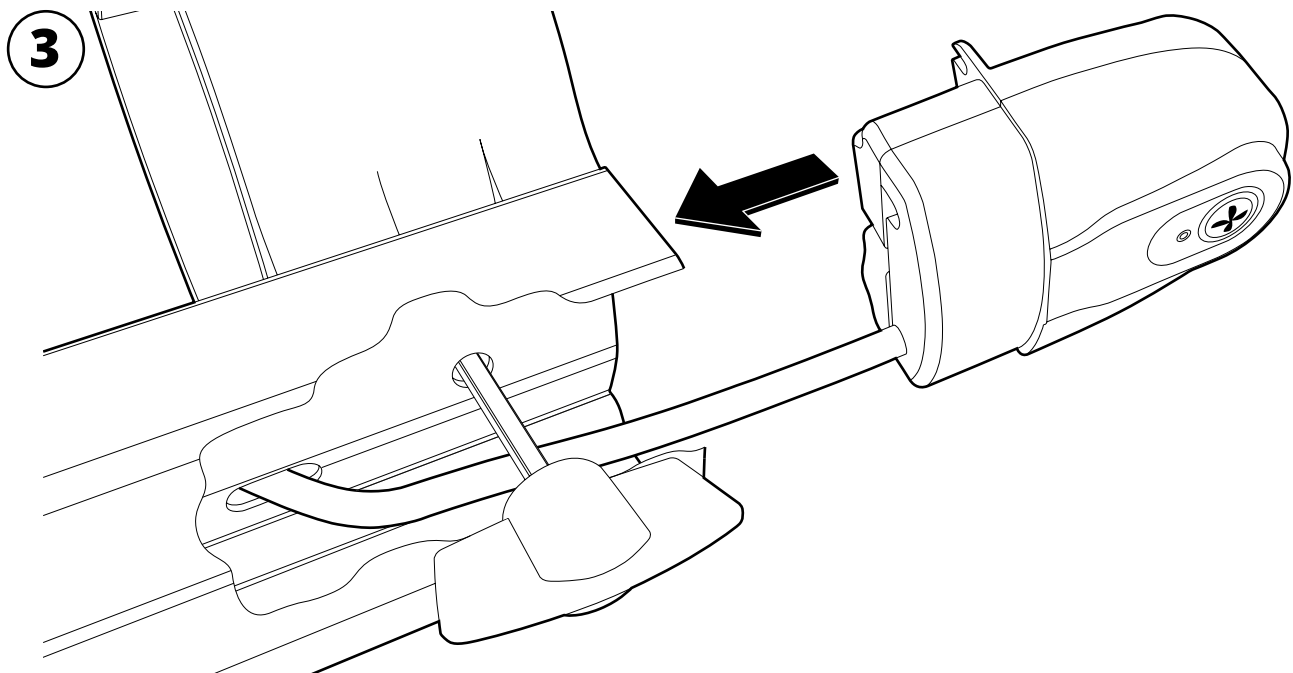
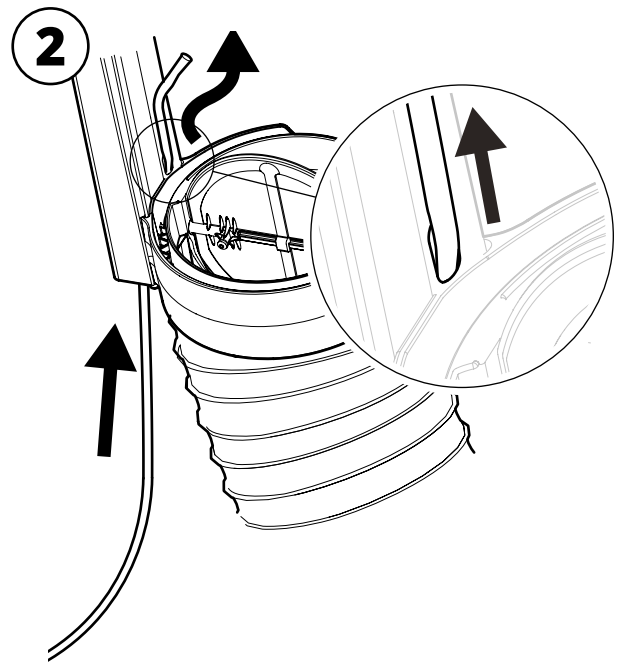
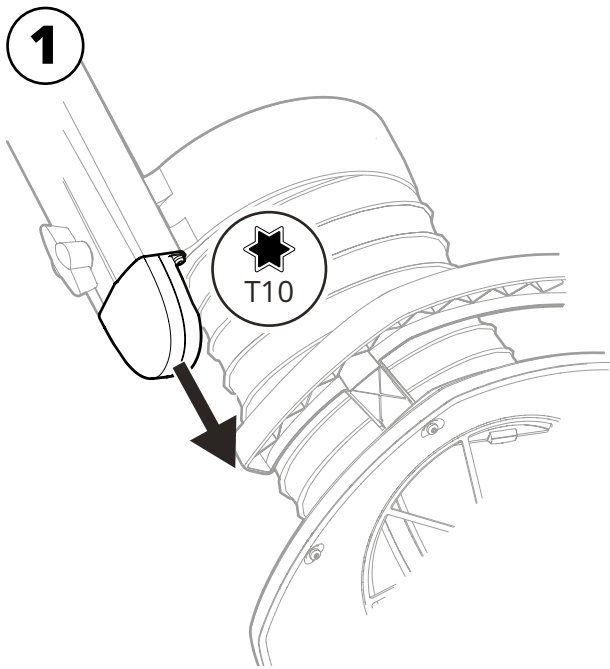
Push Button Kit **PR S** and **PR LS** is developed for easy starting / stopping of example lamp, fan and damper. Power supply via separate transformer or control unit.

Installation

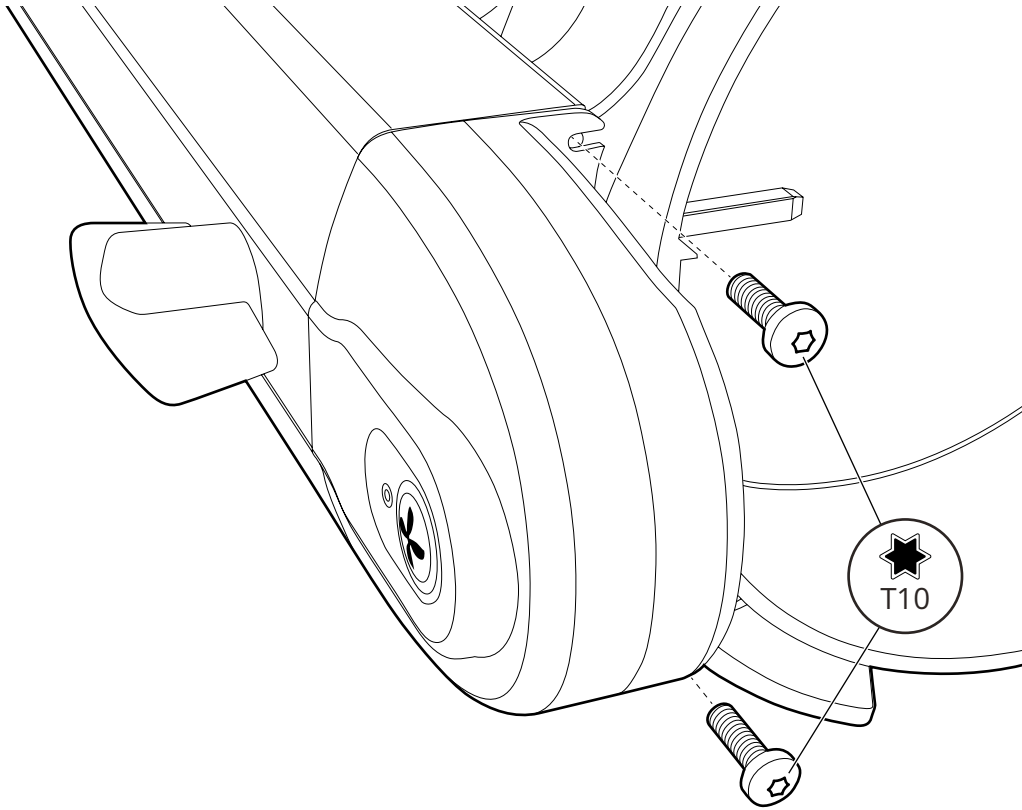


These instructions assume that the hose is dismantled from the extraction arm.

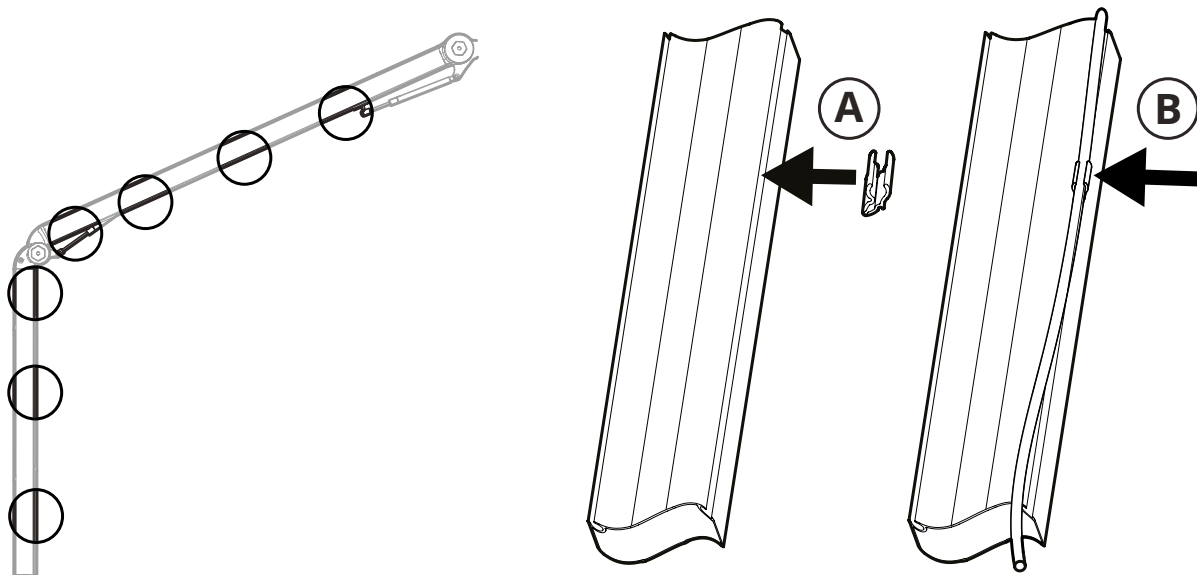
PR S



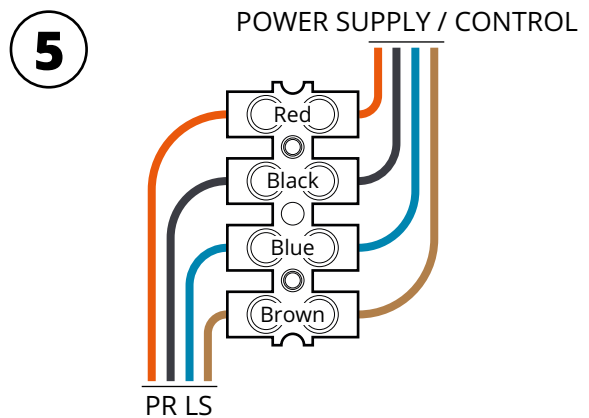
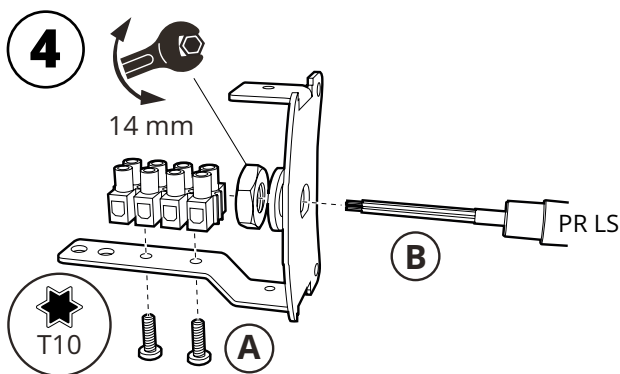
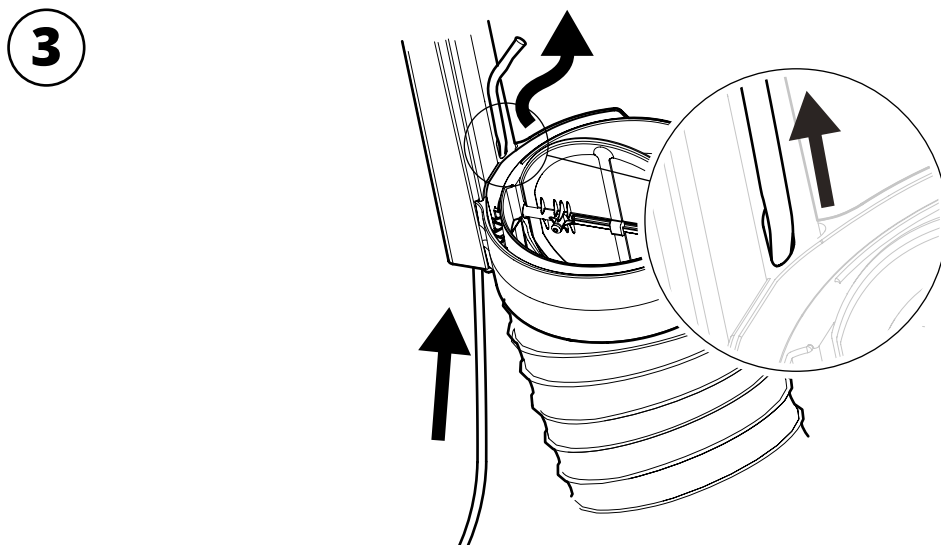
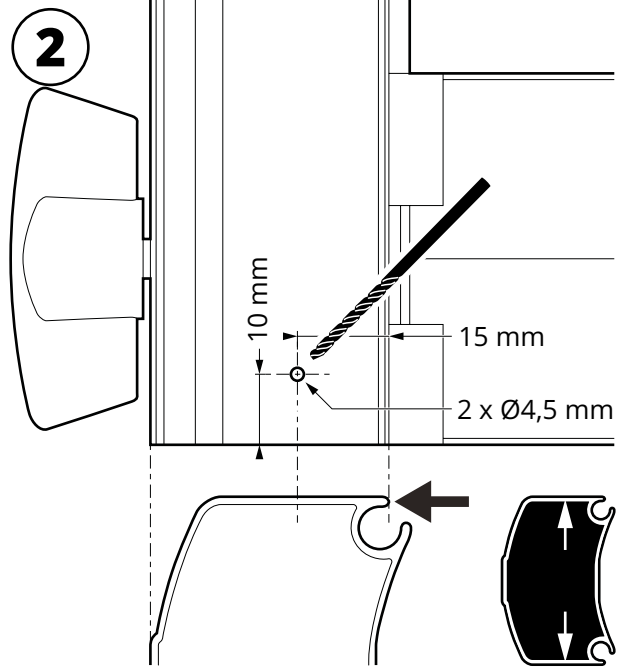
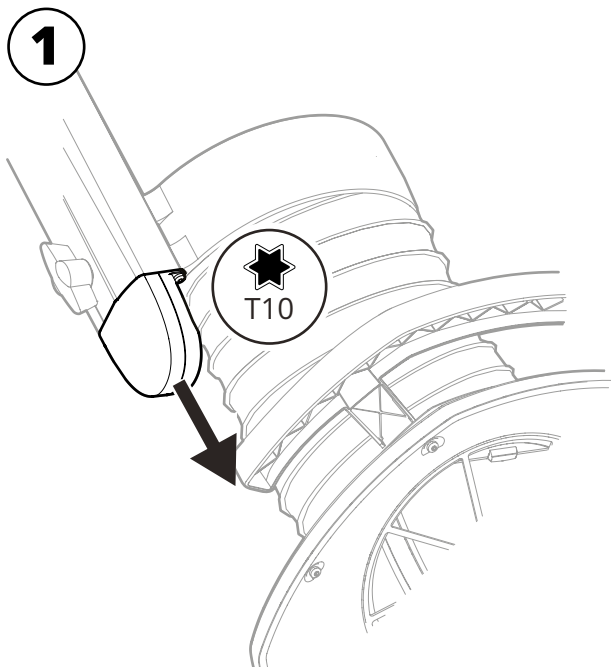
4

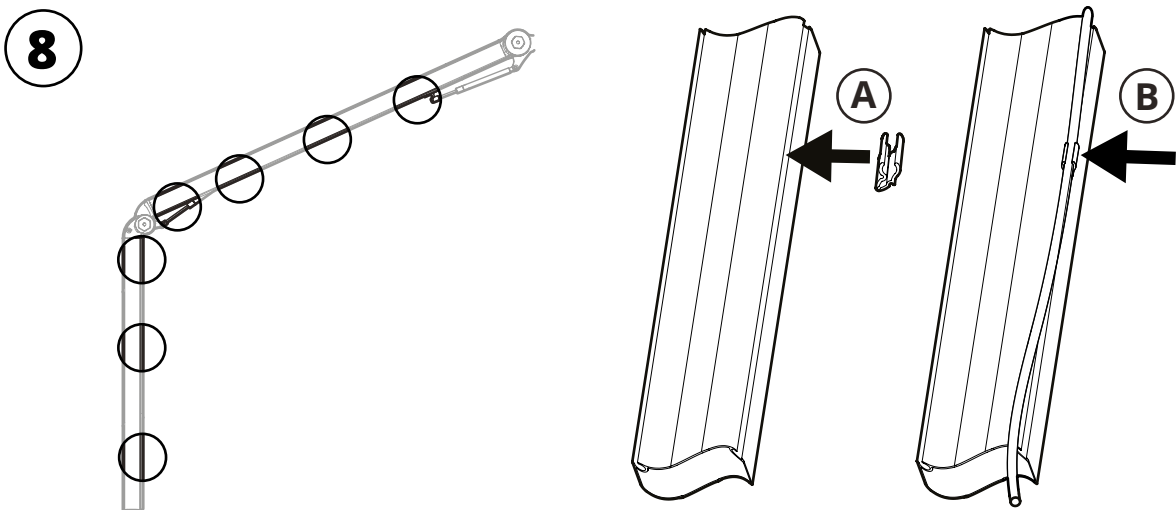
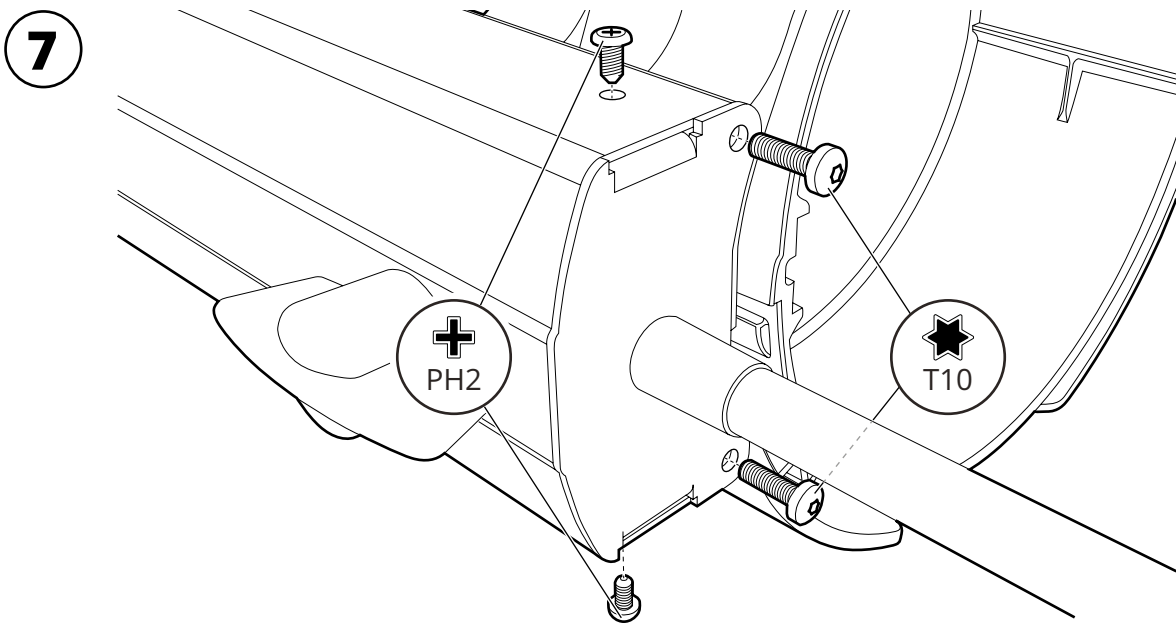
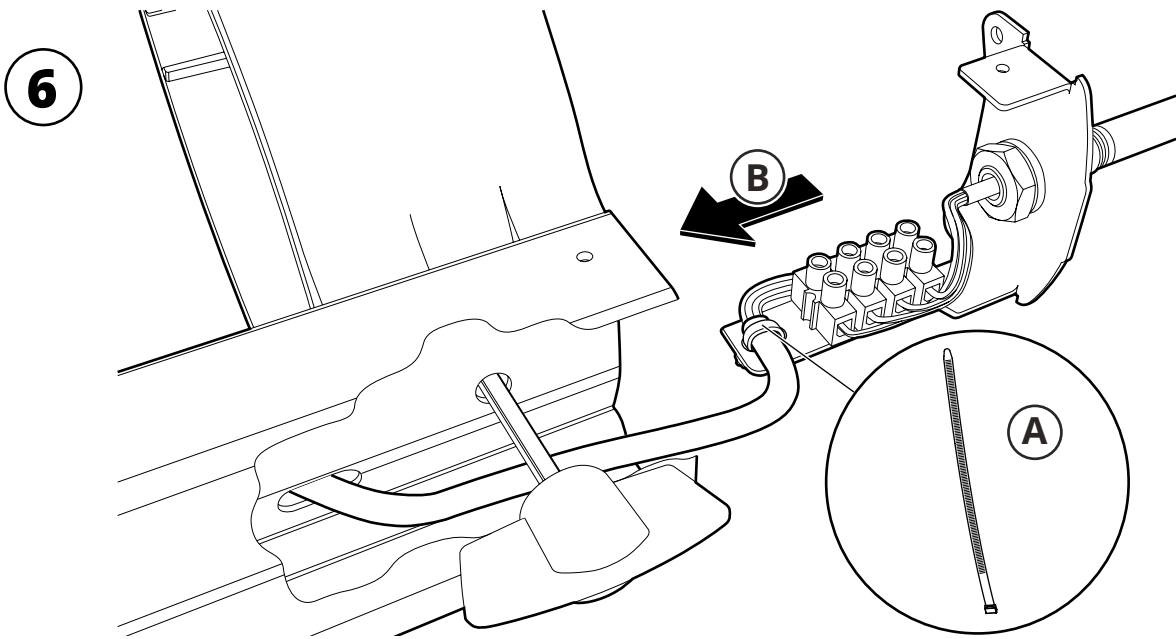


5



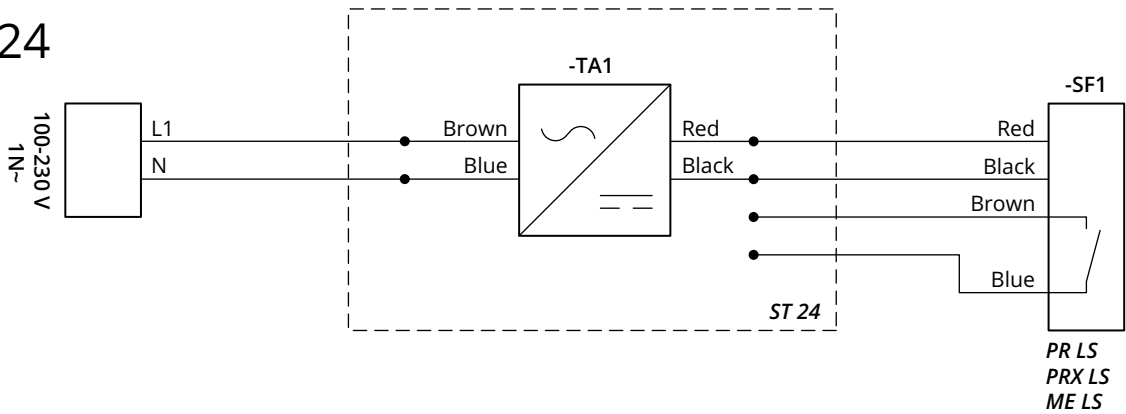
PR LS



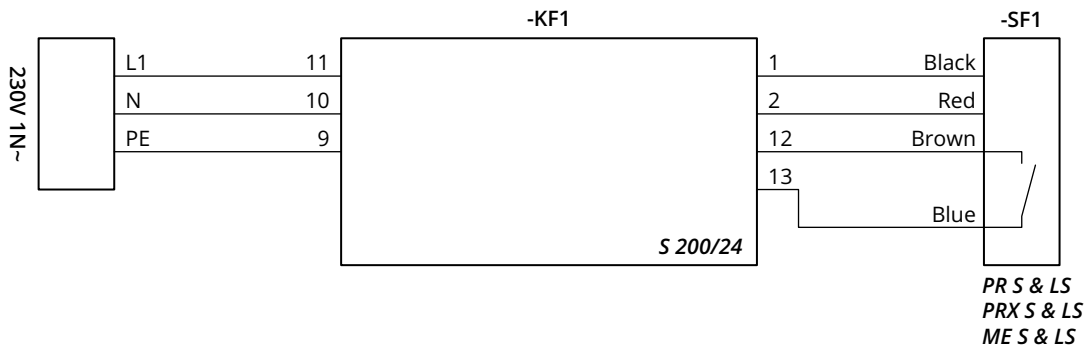


Wiring diagram

ST 24



S 200/24V



S 400



Technical data

PR S

Installation

Voltage: 24 V AC/DC
 Frequency: 50-60 Hz
 Ambient temp.: 0 to 50 °C
 Weight: 50 gram

Meets requirements

EMC: EN IEC 55015:2019
 Luminaires - Safety: EN IEC 60598-2-1:2021
 Controlgear - Safety: IEC 61347-2-13:2014
 RoHS directive: 2011/65/EU

Product

Housing

Material: PA6 30% GF
 Dimension: 85 x 68 x 42 mm

Maintenance

Maintenance free

PR LS

Installation

Voltage: 24 V AC/DC
 Power: 5 W
 Luminous flux: 500 lm¹
 Light exchange: 110 lm/W
 Colour temperature: 4000 K
 Ambient temp.: 0 to 50 °C
 Enclosure class: IP 20
 Weight: 270 gr

¹ Dimmable 100 - >10 %

Meets requirements

EMC: EN IEC 55015:2019
 Luminaires - Safety: EN IEC 60598-2-1:2021
 Controlgear - Safety: IEC 61347-2-13:2014
 RoHS directive: 2011/65/EU

Product

Materials

Housing: Aluminium
 Gooseneck: Stainless steel
 Bracket: Steel

Dimensions

Housing: Ø38 x 90 mm
 Gooseneck: Ø12 x 380 mm

Maintenance

Maintenance free

EXTRACTION ARMS • VEHICLE EXHAUST EXTRACTION • FANS • FILTERS • CURTAINS • CONTROLS

FUMEX

G:a Burträskvägen 48, 931 92 Skellefteå, Sweden • Tel.: +46 910-361 80 • Fax: +46 910-130 22 • E-mail: info@fumex.se
www.fumex.com