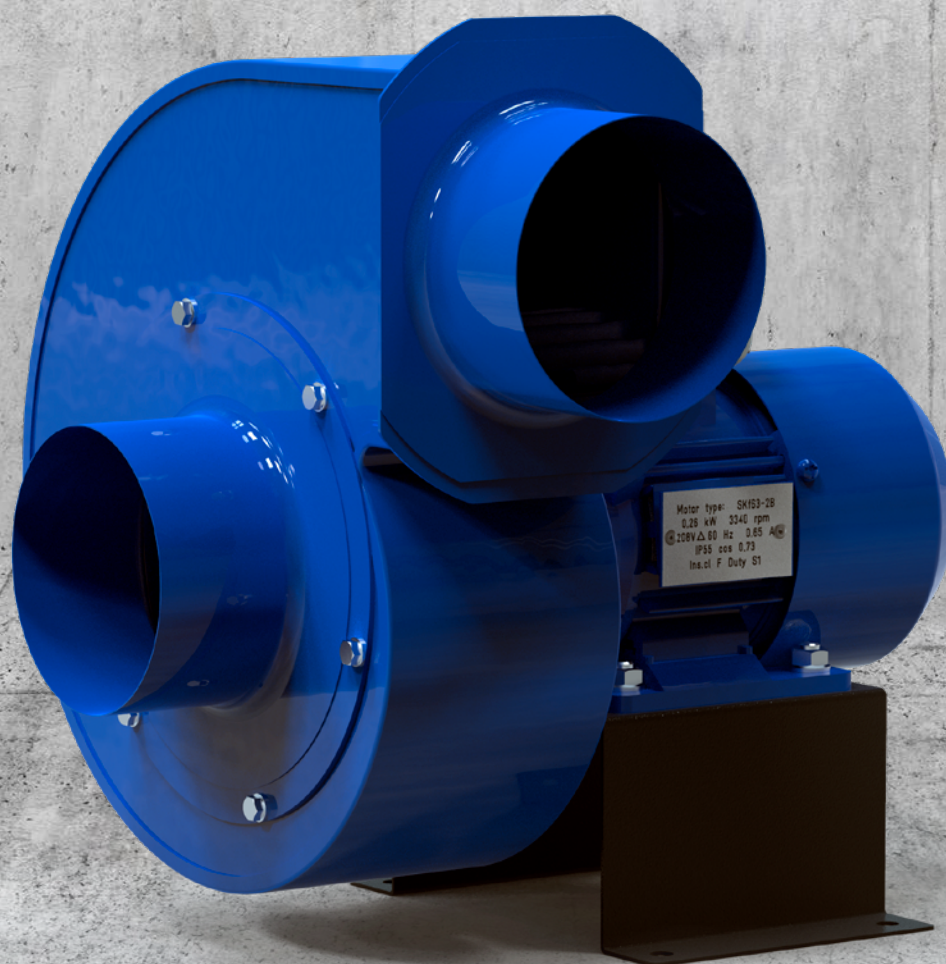




C 600

Centrifugal fan for smaller applications



MOVEX C 600
optimized for
Movex industrial
systems.

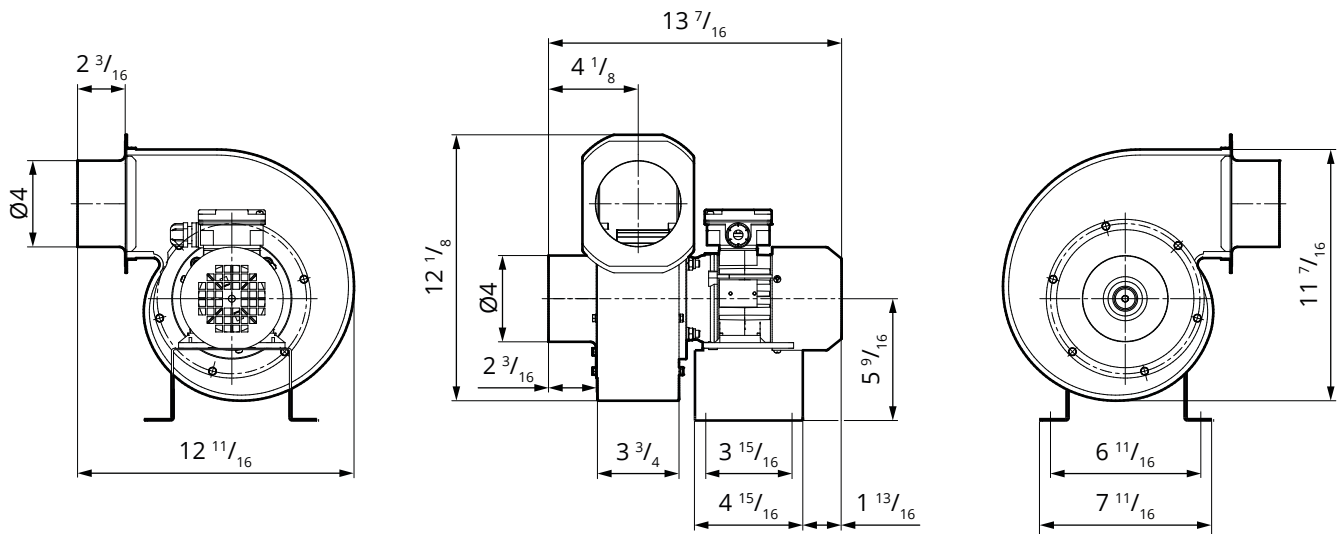


Centrifugal fan for smaller applications

MOVEX C 600 – a compact and sturdy fan which can be installed both indoors and outdoors, designed for industrial environments. The forward-curved impeller extracts non-explosive gases, fumes and lighter particles with an airflow of up to 350 cfm.

The fan is optimized for use together with Movex systems for fume extraction and automatic control.

Dimensional drawing (in)

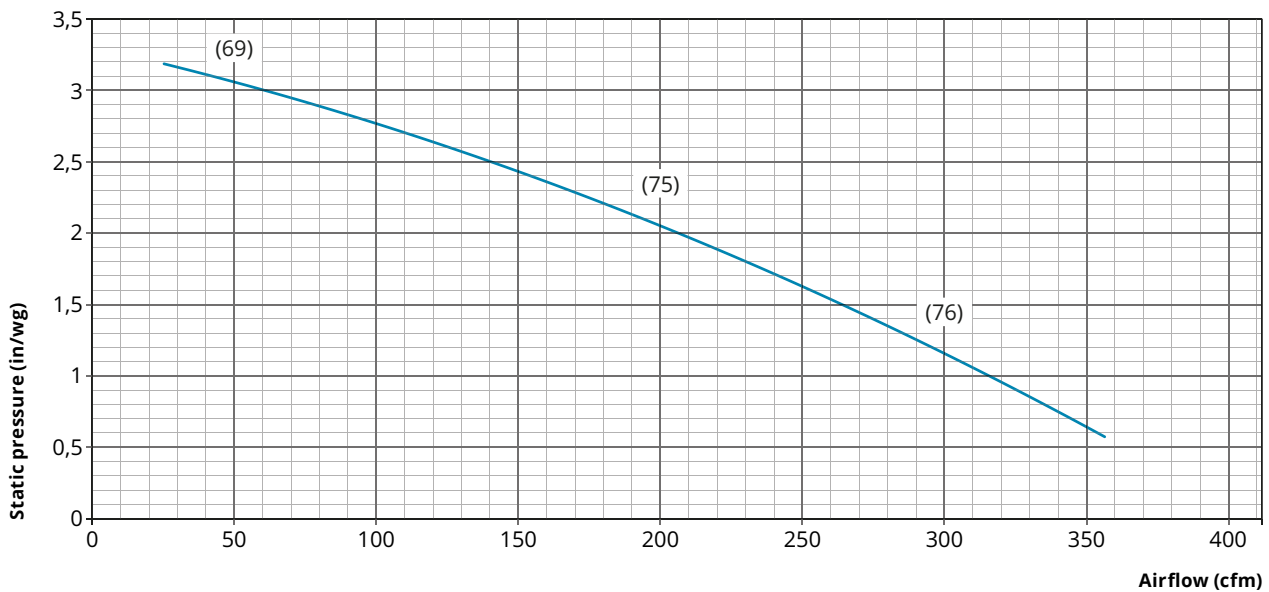


Version (view from inlet side)



LG 90

Performance (Sound level in parentheses)



Ambient fan noise, as measured $3 \frac{1}{2}$ ft from fan dB(A).

Specifications

Form of delivery

The fan is supplied fully-equipped with a bracket for easy installation.

Surface finishing

Sheet metal parts Powder-coated and
electro-galvanized

Motor

1-phase asynchronous motor.

Voltage: 1-phase 120 V
Rated current: 4.4 A
Rated power: 0.34 HP
Speed: 3200 rpm
Enclosure: IP55

Production

The C 600 fan motor is manufactured in accordance with UL 1004-1.

Additional information

The operating temperature for C 600 is a maximum air temperature of 176 °F and a maximum ambient temperature of 104 °F.

Weight (incl. bracket)

18 lbs

EXTRACTOR ARMS · VEHICLE EXHAUST EXTRACTORS · FANS · FILTERS · CURTAINS · CONTROLS

MOVEX

104 Commerce Drive, Northampton, PA 18067, USA • Tel: 610-440-0478 • Fax: 610-440-0480 • Email: info@movexinc.com

www.movexinc.com